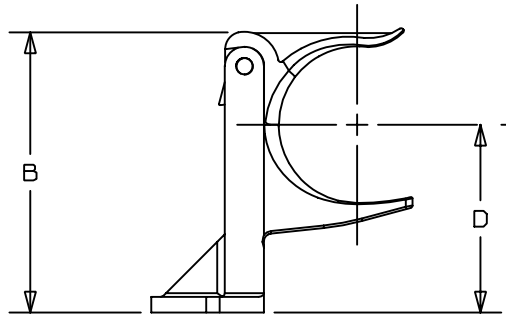
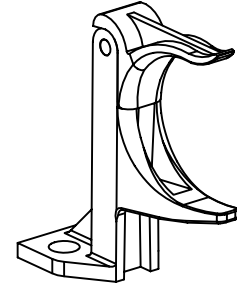
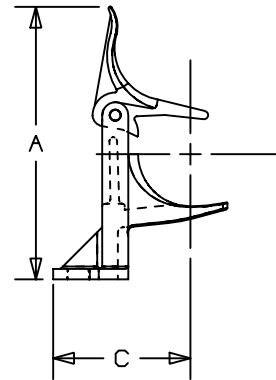
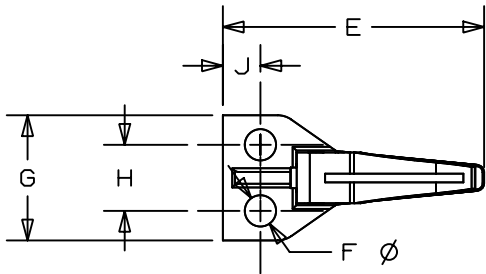


THIS COPY IS PROVIDED ON A RESTRICTED BASIS AND IS NOT TO BE USED IN ANY WAY DETRIMENTAL TO THE INTERESTS OF PANDUIT CORP.

| PANDUIT PART NUMBER | MAX. BUNDLE DIA IN (MM) | RECM. FASTENER | DIMENSIONS | | | | | | | | | WEIGHT LB./100pcs. (g) |
|---------------------|-------------------------|----------------|-------------|-------------|-------------|-------------|-------------|--------------------------|-------------|--------------|------------|------------------------|
| | | | "A" REF | "B" | "C" REF | "D" REF | "E" REF | "F" REF | "G" | "H" REF | "J" REF | |
| CPH.75-S8 | 0.75 (19.0) | #8 SCREW (M4) | 2.48 (63.0) | 1.78 (45.3) | 1.18 (30.0) | 1.35 (34.4) | 1.60 (40.8) | 0.172 ±0.008 (4.4) (0.2) | 0.90 (22.9) | 0.528 (13.4) | 0.17 (4.3) | 1.4 (64) |
| CPL.75-S8 | 0.75 (19.0) | #8 SCREW (M4) | 1.69 (42.9) | 1.08 (27.4) | 1.11 (28.2) | 0.56 (14.2) | 1.52 (38.6) | 0.172 ±0.008 (4.4) (0.2) | 0.88 (22.4) | 0.568 (14.4) | 0.16 (4.0) | 1.0 (454) |

NOTES:

- SEE CURRENT PRICE SHEET FOR PART NUMBER SUFFIX DESIGNATION FOR PACKAGE SIZE.
- COLOR: BLACK



DIMENSIONS IN BRACKETS ARE METRIC [mm]
 CAD FILENAME/LAYERS G00239HJ_PI_CPHCPL_01

PANDUIT CORP. TINLEY PARK, ILLINOIS

CORNER POST HIGH, CPH.75-S8
 CORNER POST LOW, CPL.75-S8

UNLESS OTHERWISE SPECIFIED, DIMENSIONAL TOLERANCES ARE:
 (.X) ±0.05 (1.3) (.XXX) ±0.010 (0.25)
 (.XX) ±0.02 (0.5) ANGLES ± 5°

UNLESS OTHERWISE SPECIFIED, ALL DIMENSIONS ARE GIVEN IN INCHES, THIRD ANGLE PROJECTION.

DRAWN BY JAD MAT'L:

SCALE NONE

DATE 6/14/01

ACETAL

DRAWING NO. GB0239HJ

DWG SIZE A

| 1 | 04-22-02 | LGG | | CORRECT PART NAME. WAS S6 S/B S8'S | GB0239HJ | 1 | | | | | | |
|-----|----------|-----|-----|------------------------------------|----------|---|------|-----|--|--|--|--|
| REV | DATE | BY | CHK | DESCRIPTION | ECN | R | CUST | SUP | | | | |